

NOTES:

- EACH PANEL REQUIRES A DEDICATED CLIC GLASS CONTROLLER AND POWER SUPPLY
- USE 18-2 CL3P CABLE FOR ELECTRICAL CONNECTIONS
- REMOVE ALL TEMPORARY ADHESIVE FROM CORNERS BEFORE INSTALLATION
- TRIANGLES INDICATE STANDARD LOCATIONS FOR CO-LOCATED WIRE EXITS - LENGTH PER CUSTOMER SPEC, MINIMUM 175mm
- FRONT VIEW SHOWS EXTERIOR SURFACE - LEFT AND RIGHT TO BE DETERMINED BY EXTERIOR DIRECTION (OUT OF PAGE)
- COMPATIBLE GLAZING MATERIALS REQUIRED; ANY WET GLAZING MATERIALS OR NON-SILICONE SETTING BLOCKS MUST BE CONFIRMED

DO NOT SCALE DRAWING

ALL UNITS IN MM UNLESS OTHERWISE NOTED

CARDINAL IG

SIZE A MATERIAL

REV H

©7/3/2023 CARDINAL IG COMPANY

This drawing and the ideas embodied herein represent the confidential and proprietary intellectual property of Cardinal IG and may be protected by copyrights, patents, trade secrets, know-how and other confidential or proprietary information. Reproduction or any use of this drawing is expressly prohibited without prior written permission of Cardinal IG and then only on the condition that this notice be included in any such reproduction.

STANDARD TOLERANCES UNLESS OTHERWISE NOTED

X.X = ± .100
X.XX = ± .010
X.XXX = ± .005

∠ = ± .5°

DRAWING NO

CLC-DWG-5901 : CLIC LAMINATED CUSTOMER DRAWING

DESCRIPTION

DRAWING FOR CUSTOMER IMPLEMENTATION IN INTERIOR MARKETS

DRAWN BY

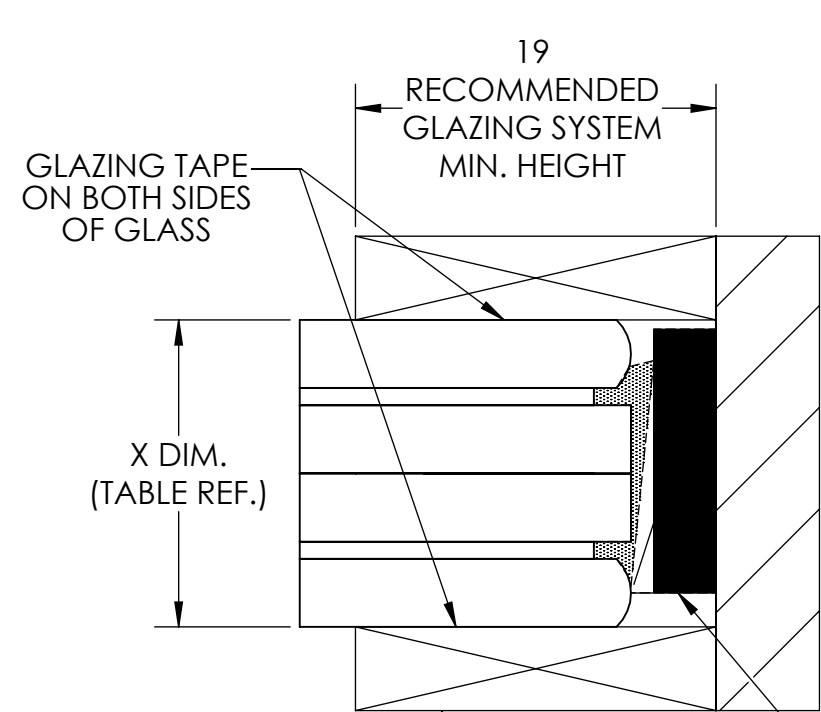
dskaurud

DATE

7/3/2023

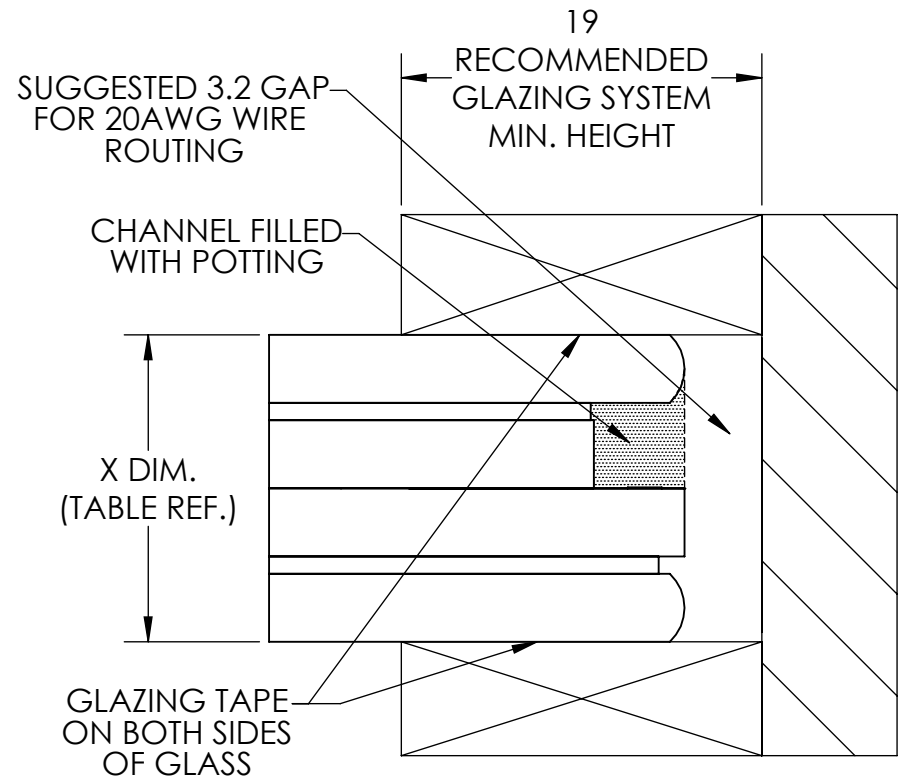
FINISH

SHEET 1 OF 3



GLAZING SYSTEM SHOWN WITH "X" - TYP. ALL

**SECTION B-B
SHORT AXIS
SECTION VIEW**



**SECTION C-C
LONG AXIS
SECTION VIEW**

DO NOT SCALE DRAWING

ALL UNITS IN MM UNLESS OTHERWISE NOTED

CARDINAL IG

SIZE **A** MATERIAL

REV **H**

©7/3/2023 CARDINAL IG COMPANY
This drawing and the ideas embodied herein represent the confidential and proprietary intellectual property of Cardinal IG and may be protected by copyrights, patents, trade secrets, know-how and other confidential or proprietary information. Reproduction or any use of this drawing is expressly prohibited without prior written permission of Cardinal IG and then only on the condition that this notice be included in any such reproduction.

STANDARD TOLERANCES UNLESS OTHERWISE NOTED

X.X = ± .100
X.XX = ± .010
X.XXX = ± .005

∠ = ± .5°

DRAWING NO
CLC-DWG-5901 : CLIC LAMINATED CUSTOMER DRAWING

DESCRIPTION
DRAWING FOR CUSTOMER IMPLEMENTATION IN INTERIOR MARKETS

DRAWN BY
dskaurud

DATE
7/3/2023


FINISH

SHEET 2 OF 3

REV	DATE	BY	DESCRIPTION
A	07/13/2020	ZTF	ADDED PAGES 2 AND 3, ADDED SECTION VIEWS B-B AND C-C, NOTES ADDED DETAIL A
B	08/14/2020	ZTF	CHANGED MINIMUM WIDTH OF NON-CONDUCTIVE SIDE TO 0.51 METERS
C	01/21/2021	ZTF	CHANGED DWG NO AND TITLE BLOCK, BUSBAR MAX TO 0.625", GLAZING SYSTEM TO 0.750", MOVED O.A.T. TO PAGE 2, ADDED CLIP AND REMOVED SETTING BLOCK ON SECTION C-C
D	03/16/2021	ZTF	CHANGED MAX HEIGHT TO 2.44 METERS
D	10/18/2021	DPS	PART NUMBERING UPDATE CHANGED 9006 TO 5301
E	03/10/2022	ZTF	CHANGED NOTES AND WIRE WHIP, ADDED WIRE LOCATION CALLOUTS, UPDATED MODEL, CHANGED DOCUMENT NUMBER FROM 5301 TO 5901
F	04/28/2022	ZTF	CHANGED COMPATABILITY NOTES AND UPDATED TERMINOLOGY
G	01/11/2023	ZTF	CHANGED MIN. WIDTH, ROTATED SECTION, NOTES, ADDED SHARP CORNERS & TABLE REFERENCE
H	07/03/23	DPS	UPDATED REFERENCE TABLE, REMOVED SODA, UPDATED MIN CLIC DIM

REFERENCE TABLE	CLIC GLASS (mm)	LAMINATION COVER GLASS (mm)	NOMINAL THICKNESS (X)	SIZE TOLERANCE	MAX SIZE (SHORT AXIS x LONG AXIS)	MIN CLIC DIMENSION	NOMINAL WEIGHT (LBS/SQFT)
CLIC 99	BORO (2.0)	2.2*	9.92	±3.0	15 SQ. FT	7" x 24"	4.42
CLIC 115	BORO (2.0)	3.0	11.52	±3.0	59" X 96"	7" x 24"	5.16

*NOTE: SAFE HANDLING LIMITS SIZE FOR THINNER LAMINATION

DO NOT SCALE DRAWING		ALL UNITS IN MM UNLESS OTHERWISE NOTED	CARDINAL IG 	SIZE A	MATERIAL	REV H
<small>©7/3/2023 CARDINAL IG COMPANY This drawing and the ideas embodied herein represent the confidential and proprietary intellectual property of Cardinal IG and may be protected by copyrights, patents, trade secrets, know-how and other confidential or proprietary information. Reproduction or any use of this drawing is expressly prohibited without prior written permission of Cardinal IG and then only on the condition that this notice be included in any such reproduction.</small>		STANDARD TOLERANCES UNLESS OTHERWISE NOTED X.X = ± .100 X.XX = ± .010 X.XXX = ± .005 ∠ = ± .5°	DRAWING NO CLC-DWG-5901 : CLIC LAMINATED CUSTOMER DRAWING		DESCRIPTION DRAWING FOR CUSTOMER IMPLEMENTATION IN INTERIOR MARKETS	
DRAWN BY dskaurud		DATE 7/3/2023	FINISH	SHEET 3 OF 3		