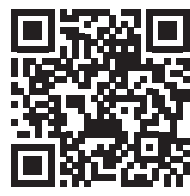


CLiC™ HC-108 Network Controller

Quick Start Guide



Rev. C

On-demand Privacy Glass

Contents

- 1x HC-108 Network Controller
- 1x Quick Start Guide
- 1x 7' Power Cable
- 1x 6' CAT 5e Ethernet Cable
- 4x 10-32 Rack Mount Screws

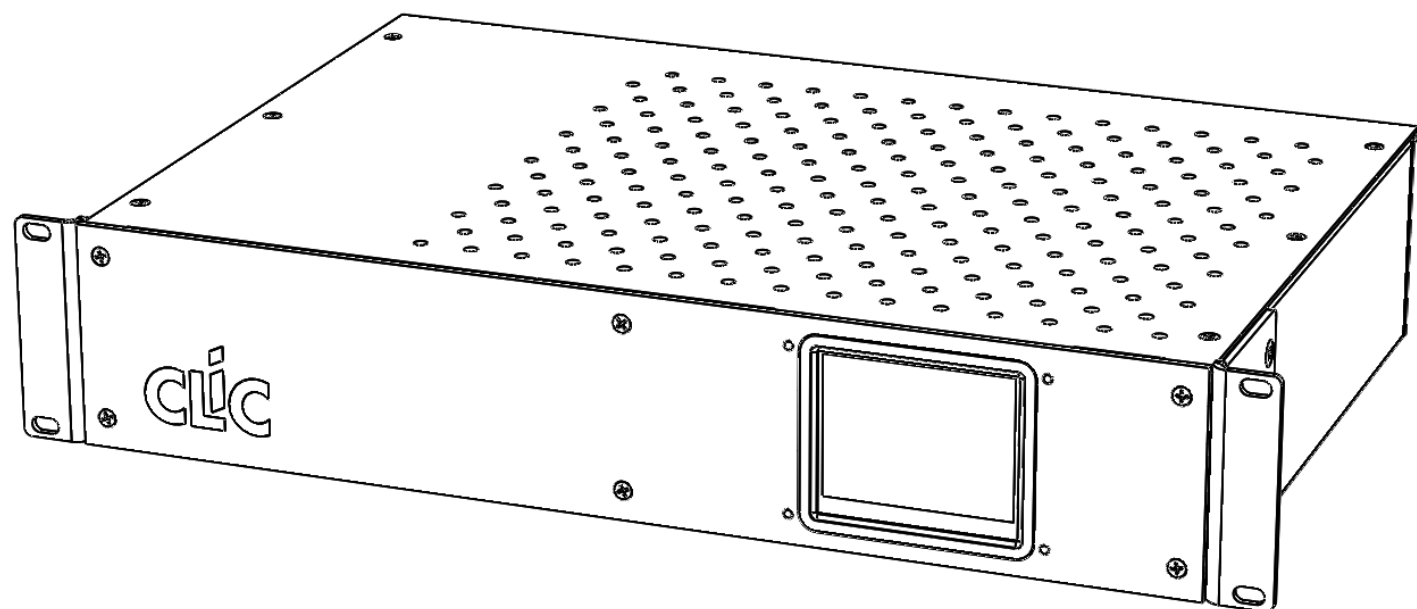
- Pre-attached
- 8x 4-Position Connectors
- 9x 2-Position Connectors

Keep the packaging in the event you need to ship the HC-108.

Important

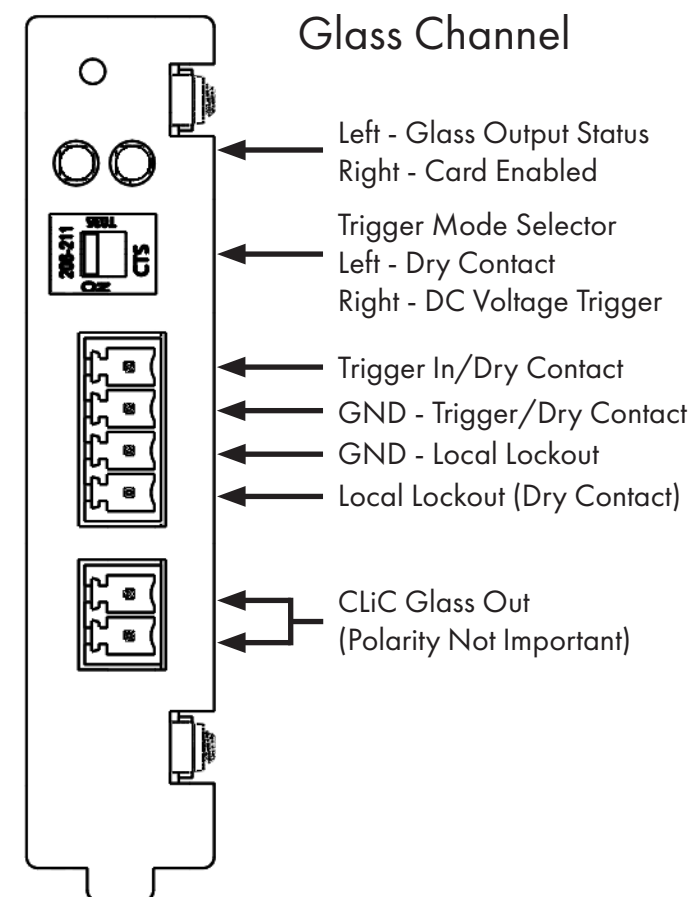
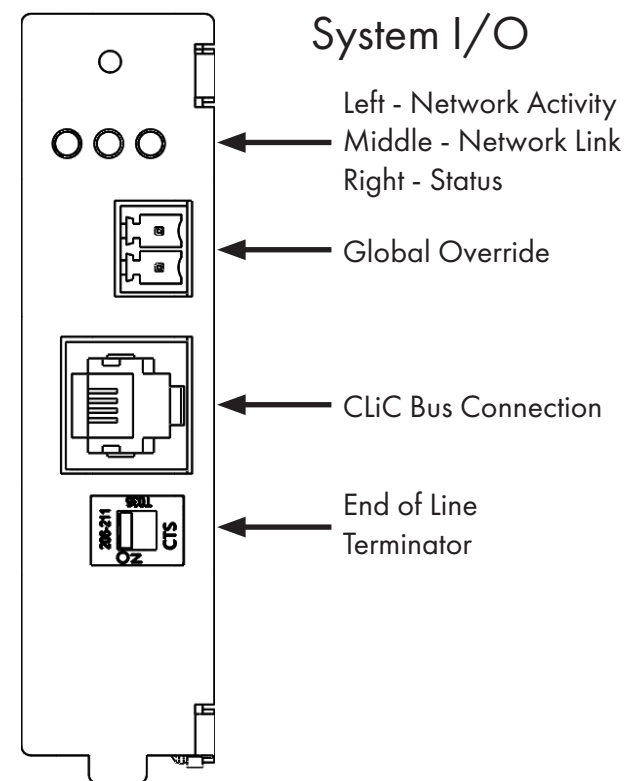
- **Failure to adhere to all the safety warnings in the manual may result in damage or injury.**
- **Remove all the Preserve film from the CLiC glass prior to connecting the wiring to the HC-108.**
- **Do not apply power to the system until all wiring is completed.**
- **Do not change trigger mode while the HC-108 is powered.**
- **This product is for indoor use only.**

Before continuing, verify that you have properly completed the CLiC Glass wire connections prior to connecting wires to the HC-108. Refer to the wiring guide at www.clicglass.com



The latest version of this document, as well as a detailed manual can be found using the QR code at the top of this page or at: www.clicglass.com The installer **MUST** read and understand the controller manual in it's entirety and rely on those documents for all warnings, procedures, and standards.

For support, email clicsupport@cardinalcorp.com or call 952-314-4757



Terminate and Connect the Global Override Switch Connection

The global override provides the ability to switch all the channels on the CLiC Bus to either private or clear. This is settable on the internal webpage. This terminal only accepts a dry contact (relay) input for triggering.

Select Trigger Mode

- Dry Contact - Triggered by a contact closure/relay
- DC Voltage Trigger - Maximum input voltage +25VDC

Terminate and Connect all Trigger Connections

Terminate the wires that are coming from your switch device. Multiple channels can be triggered by the same switch device if they are set to the same Trigger Mode and wired in parallel.

Terminate and Connect all the Local Lockout Connections

This allows the ability to keep the window in the private state even if the glass is switched from the local switch. This terminal only accepts a dry contact (relay) input for triggering.

Terminate and Connect all the Glass Connections

Ensure that all the Preserve film has been removed from the CLiC glass before connecting the glass lines to the HC-108. Static that is discharged from the removal of such film can damage the HC-108.